

RETAIL WEIGHING SOLUTION™

**ansutek**  
Ph 0800 27 26 26

info@ansutek.co.nz  
www.ansutek.co.nz  
www.ansutekbiz.co.nz



Dual interval technology



Client view pole display



Membrane key pad

# ER<sup>JR</sup> SERIES

## Price Computing Scale

ER<sup>JR</sup> is the best choice if you seek for economic retail weighing solution with high efficiency

- Three high legible LCD displays
- Stainless-steel platter



**CAS**

# ER<sup>JR</sup> SERIES

| Price Computing Scale

TOTAL WEIGHING SOLUTION™



## SPECIFICATIONS

| Model                 | ER <sup>JR</sup> SERIES               |        |         |
|-----------------------|---------------------------------------|--------|---------|
| Capacity (kg)         | 3/6                                   | 6/15   | 15/30   |
| Readability (g)       | 1/2                                   | 2/5    | 5/10    |
| Maximum Tare (kg)     | -2.999                                | -5.998 | -14.995 |
| Internal Resolution   | 1/60,000                              |        |         |
| External resolution   | 1/3,000 (Dual Interval)               |        |         |
| Display Digit         | 6/6/6 (Weight/Unit Price/Total Price) |        |         |
| Display type          | LCD                                   |        |         |
| Operation Temperature | -10°C ~ 40°C                          |        |         |
| Power                 | Rechargeable Battery, 12V DC Adapter  |        |         |
| Battery Life          | 180hrs (without backlight)            |        |         |
| Platter Size (mm)     | 290(W) x 209(D)                       |        |         |
| Dimensions (mm)       | 304(W) x 324(D) x 112(H)              |        |         |
| Product Weight (kg)   | 3.5                                   |        |         |

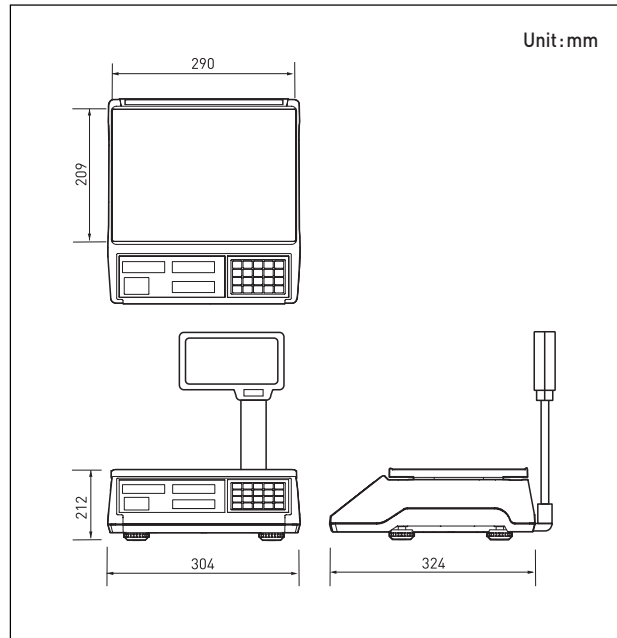
## FEATURES

- 4 direct PLUs memory function  
\*PLU (Price-Look-Up) function: Preset keys for frequent transaction items and its price. It makes your business operation more convenient
- Adopted dual interval technology for more accuracy
- Three high legible LCD displays with backlight
- Membrane keypad
- Daily total function
- Calculation function
- Rechargeable battery operation
- Auto power-off function

## OPTIONS

- Client view pole display
- Dust protection cover
- Backlight

## DIMENSIONS



**ansutek**  
Ph 0800 27 26 26

info@ansutek.co.nz  
www.ansutek.co.nz  
www.ansutekbiz.co.nz