



Ph 0800 27 26 26

info@ansutek.co.nz
www.ansutek.co.nz
www.ansutekbiz.co.nz



Rugged and Reliable Analog Hotplates and Stirrers for General Purpose Heating and Stirring

Dependable OHAUS Guardian 2000™ Hotplates and Stirrers are ideal for education and other lab environments that require affordable, everyday fast heating and reliable stirring up to 15L. All three sizes offer simple knob control to easily adjust the heating and stirring functions. The durable housing includes a built-in support rod holder which accepts the optional support rod. Stirring models include PTFE coated stir bars.

Unique Features:

- Powerful stirring and fast heating at an economical price. Safely heat up to 500°C and stir up to 15L with easy to use knob control for simple and reliable everyday heating and stirring in the lab.
- Designed to last - the rugged metal housing has a spill resistant design for long life in the lab under harsh conditions. The smooth, chemical-resistant ceramic top plate is perfect for easy clean up.
- Safety is of utmost importance - the prominent hot top indicator light illuminates when the heater is above 40°C, keeping the end user safe during all heating applications.

GUARDIAN™ 2000 Hotplate Stirrers

Specifications

| Model | e-G21ST04R | e-G21HP04C | e-G21HS04C |
|------------------------|--|--|-----------------------------------|
| Function | Stirring | Heating | Heating and Stirring |
| Top Plate Size | 10.2 x 10.2 cm | | |
| Speed Range | 200 - 1600 rpm | - | 200 - 1600 rpm |
| Temperature Range | - | 70 °C - 500 °C | |
| Control | Analog | | |
| Capacity | 15 L | | |
| Top Plate Material | Resin | Ceramic | |
| Dimensions (H x L x W) | 11.0 x 26.4 x 16.3 cm | | |
| Net Weight | 2.1 kg | 1.8 kg | 2.5 kg |
| Power | 100V-120V ~2A 50/60Hz 220V-240V ~1A 50/60Hz | 100V-120V ~5A 50/60Hz 220V-240V ~4A 50/60Hz | |
| Power Consumption | 35W (100~120V) / 35W (220~240V) | 505W (100~120V) / 505W (220~240V) | 535W (100~120V) / 535W (220~240V) |
| Working Environment | 5 °C - 40 °C, 80 % RH, non-condensing | | |

| Model | e-G21ST07R | e-G21HP07C | e-G21HS07C |
|------------------------|--|---|--------------------------------------|
| Function | Stirring | Heating | Heating and Stirring |
| Top Plate Size | 17.8 x 17.8 cm | | |
| Speed Range | 200 - 1600 rpm | - | 200 - 1600 rpm |
| Temperature Range | - | 70 °C - 500 °C | |
| Control | Analog | | |
| Capacity | 15 L | | |
| Top Plate Material | Resin | Ceramic | |
| Dimensions (H x L x W) | 11.2 x 31.8 x 22.3 cm | | |
| Net Weight | 2.8 kg | 3.2 kg | 3.9 kg |
| Power | 100V-120V ~2A 50/60Hz 220V-240V ~1A 50/60Hz | 100V-120V ~10A 50/60Hz 220V-240V ~7A 50/60Hz | |
| Power Consumption | 35W (100~120V) 35W (220~240V) | 1005W (100~120V) 1005W (220~240V) | 1035W (100~120V) 1035W (220~240V) |
| Working Environment | 5 °C - 40 °C, 80 % RH, non-condensing | | |

| Model | e-G21STRDS | e-G21HPRDS | e-G21HSRDS |
|------------------------|--|--|------------------------------------|
| Function | Stirring | Heating | Heating and Stirring |
| Top Plate Size | 13.5 cm diameter | | |
| Speed Range | 200 - 1600 rpm | - | 200 - 1600 rpm |
| Temperature Range | - | 50 °C - 380 °C | |
| Control | Analog | | |
| Capacity | 15 L | | |
| Top Plate Material | Ceramic Coated Stainless Steel | | |
| Dimensions (H x L x W) | 10.1 x 26.4 x 16.3 cm | | |
| Net Weight | 2.3 kg | 1.8 kg | 2.5 kg |
| Power | 100V-120V ~5A 50/60Hz 220V-240V ~4A 50/60Hz | 100V-120V ~5A 50/60Hz 220V-240V ~4A 50/60Hz | |
| Power Consumption | 35W (100~120V) 35W (220~240V) | 505W (100~120V) 505W (220~240V) | 535W (100~120V) 535W (220~240V) |
| Working Environment | 5 °C - 40 °C, 80 % RH, non-condensing | | |

GUARDIAN™ 2000 Hotplate Stirrers

Specifications & Accessories

| GUARDIAN 2000 | | | | | | | | | | |
|-------------------|---|--|--|--|--|--|--|--|--|--|
| Application Modes | Boiling Liquids, Basic Sample and Solution Preparation, Dissolving Buffers and Reagents, Preparing Media, Concentrating Samples | | | | | | | | | |

| Item No. | Description | e-G21ST04R | e-G21HP04C | e-G21HS04C | e-G21ST07R | e-G21HP07C | e-G21HS07C | e-G21STRDS | e-G21HPRDS | e-G21HSRDS |
|-----------|------------------------------------|------------|------------|------------|------------|------------|------------|------------|------------|------------|
| 30500597 | Vessel Clamp | ● | ● | ● | ● | ● | ● | ● | ● | ● |
| 30500598 | Stir Bar Retriever | ● | | ● | ● | | ● | ● | | ● |
| 30400147 | Spinbar 2.5 cm PTFE | ● | | ● | ● | | ● | ● | | ● |
| 30400148 | Spinbar 3.8 cm PTFE | ● | | ● | ● | | ● | ● | | ● |
| 30400149 | Spinbar 7 cm PTFE | ● | | ● | ● | | ● | ● | | ● |
| 30400150 | Spinbar 10 cm with Pivot Ring PTFE | ● | | ● | ● | | ● | ● | | ● |
| 30692826 | Holder Kit Thermometer e-G31 | | ● | ● | | ● | ● | | ● | ● |
| 30726783* | Spinbar with a Pivot 3.8 cm PTFE | ● | | ● | ● | | ● | ● | | ● |

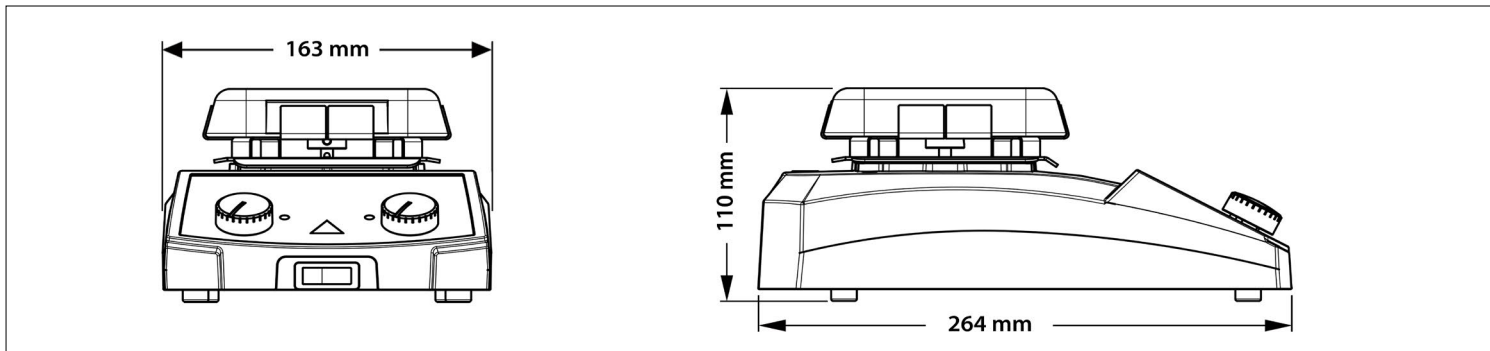
* 3076783 is a pack of 5 spinbars



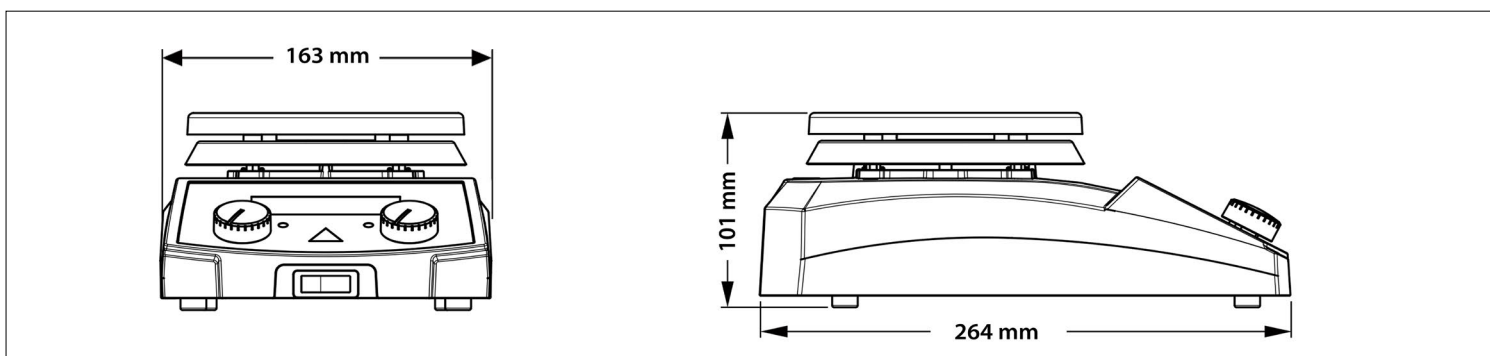
GUARDIAN™ 2000 Hotplate Stirrers

Outline Dimensions

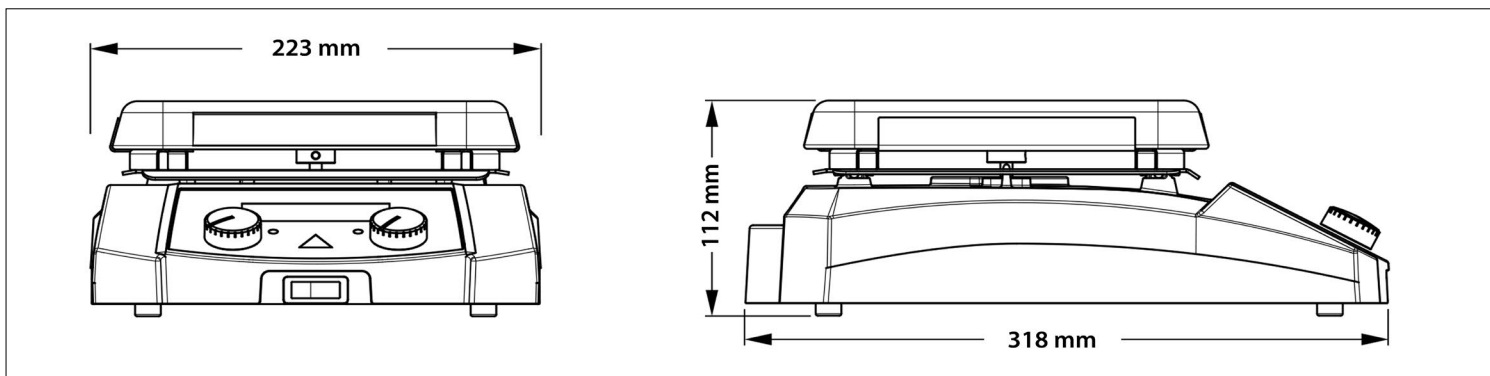
e-G21HS04C, e-G21HP04C, e-G21ST04R



e-G21HSRDS, e-G21HPRDS, e-G21STRDS



e-G21HS07C, e-G21HP07C, e-G21ST07R



Other Features and Equipment

Green indicator lights when unit is heating and stirring with simple control knobs for easy temperature and speed adjustments, one PTFE coated stir bar, ON/OFF switch for heater disconnect, built-in support rod holder.

Compliance

- **Product Safety:** IEC/EN 61010-1; IEC/EN 61010-2-010; IEC/EN 61010-2-051
- **Electromagnetic Compatibility:** IEC/EN 61326-1 Class A, Industrial environments
- **Compliance Marks:** CE; RCM; TÜV SÜD; WEEE
- **Other:** IP21



info@ansutek.co.nz
www.ansutek.co.nz
www.ansutekbiz.co.nz

The management system governing the manufacture of this product is ISO 9001:2015 certified.

